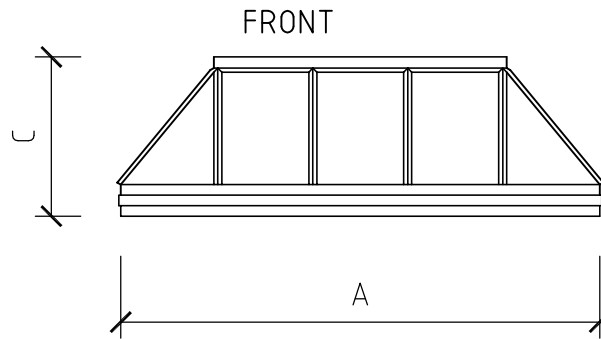
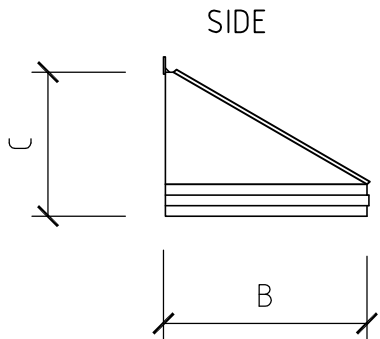


900 SERIES		
A	B	C
48"	25"	18"



AWNING LINE

NOTES:

ALL DIMENSIONS ARE APPROXIMATE

COPPER IS A NATURAL MATERIAL
AND FINISH MAY VARY FROM PIECE TO PIECE

MULTIPLE MATERIALS ARE AVAILABLE

WEIGHT VARIES

THESE ARE FOR REPRESENTATIONAL PURPOSE ONLY.

SIZES ARE STANDARD, CUSTOM SIZES ARE AVAILABLE.

DATE:
7.1.09

900 SERIES

CRESCENT CITY
COPPER